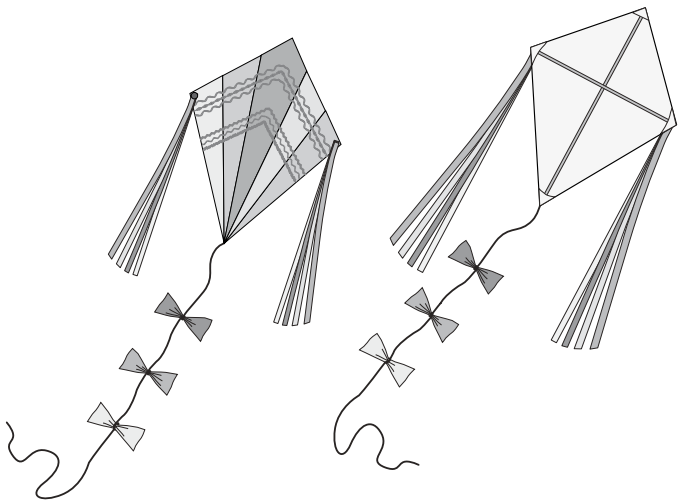


Designer Topaz™
Kite with Stitches





Sewing supplies

- ❖ HUSQVARNA VIKING® DESIGNER TOPAZ™
- ❖ Orange taffeta 5" x 25" (15 x 63 cm)
- ❖ Red taffeta 8" x 31" (20 x 80 cm)
- ❖ Blue taffeta 30" x 30" (77 x 77 cm)
- ❖ Yellow taffeta 5" x 27.5" (15 x 70 cm)
- ❖ Orange, red, blue and yellow ribbons 55" (140 cm), 3/8" (1 cm) wide
- ❖ Orange, red, blue and yellow ribbons 5" (13 cm), 1.5" (4 cm) wide
- ❖ Tear-Away stabilizer
- ❖ Interfacing
- ❖ Pins
- ❖ Rayon embroidery thread
- ❖ Embroidery bobbin thread
- ❖ Sewing thread to match the fabric
- ❖ 2 buttons
- ❖ 1 wooden stick, 47" (120 cm) long, 1/4" (6mm) wide.

Husqvarna Viking® Accessories

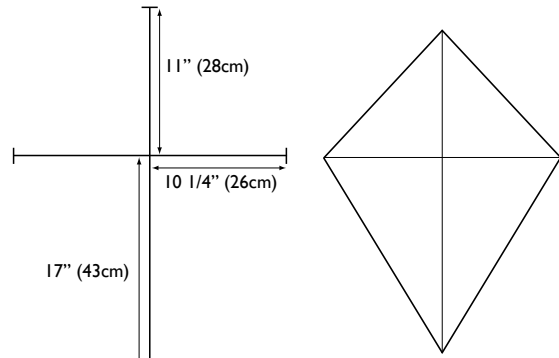
- Clear Open Toe Foot 413 03 19-45
- Clear Seam Guide Foot 413 03 48-45

You will find these and many other accessories in our HUSQVARNA VIKING® Accessory User's Guide, on web site www.husqvarnaviking.com, and for purchase at your nearest HUSQVARNA VIKING® Dealer.

Cut

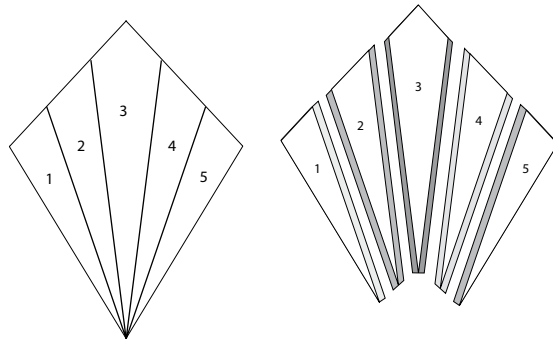
5/8" (1.5 cm) seam allowance included in all measurements.

Make a pattern for the kite, see illustration.



Use the pattern and cut one back piece from blue fabric.

Divide the kite pattern in 5 pieces, copy the pieces and add 5/8" (1.5 cm) to the side of the pieces.



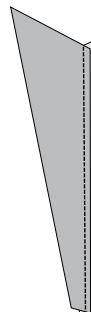
Cut out the pieces in different colors.

Use the corner templates and cut corner pieces from blue fabric.

Sew

Pin the long sides of piece 1 and 2 together, right sides together. Select woven medium, seam on the Sewing Advisor. Sew.

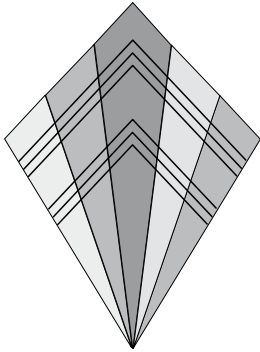
Continue sew the other pieces to the first piece in the same way. Press the seam allowances open.



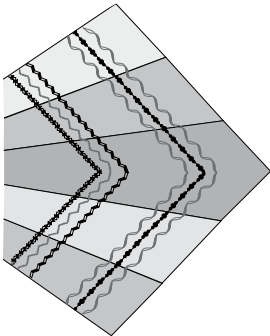
Embellish

Fuse interfacing on the wrong side of the front piece.

With a fabric marking pen draw lines on the front as illustrated.



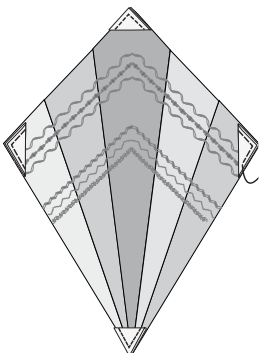
Snap on presser foot B. Thread your DESIGNER TOPAZ™ with rayon embroidery on top and bobbin thread in the bobbin. Place tear away stabilizer underneath the front. Sew decorative stitches of your choice on the lines. We used stitches 3:14, 3:22, 3:25, 3:26 and 3:44. Use different colors of embroidery thread.



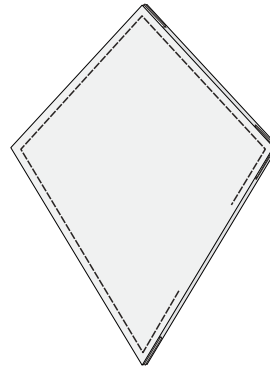
Tear away the stabilizer.

Sew

Press the corner pieces in half at the fold line. Place the corner pieces in the corners, on the right side of the front piece, pin. Snap on the Clear Seam Guide Foot and sew in place.

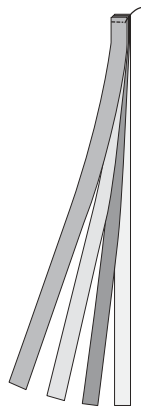


Place the back piece on top of the front piece, right sides together, pin. Thread your DESIGNER TOPAZ™ with sewing thread and sew around all four sides leaving an opening on one side about 6" (15 cm) long.

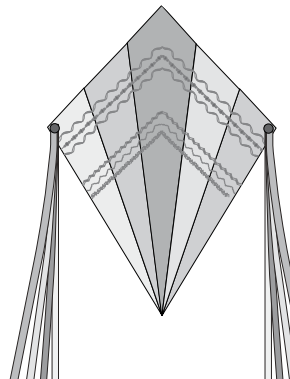


Trim the seam allowance to ¼" (6mm). Turn to right side and press. Sew the opening closed by hand with small stitches.

Cut the ¾" (1 cm) wide ribbons into two halves. Sew the short ends together with a straight stitch.



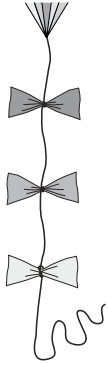
Sew them to the kite with a button.



Measure the final length and width of the kite. Saw the stick to the right length and place them into the corners.

Make a tail:

Sew a string to the bottom of the kite. Tie the 1 1/2" (4 cm) wide ribbons at the string 4" (10 cm) apart.



Corner Templates

